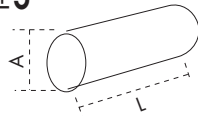


## BASTONI

lunghezza 250mm±5

### SOLID BARS

length 250mm±5



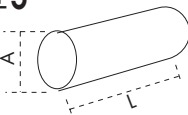
Codice Code	A
BP-8	8
BP-10	10
BP-12	12
BP-15	15
BP-16	16
BP-20	20
BP-25	25

## BASTONI

lunghezza 500mm±5

### SOLID BARS

length 500mm±5



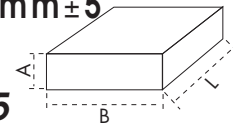
Codice Code	A
BP-28	28
BP-30	30
BP-32	32
BP-35	35
BP-40	40
BP-45	45
BP-50	50
BP-60	60
BP-63	63
BP-70	70
BP-80	80
BP-90	90
BP-100	100
BP-110	110
BP-125	125
BP-140	140
BP-150	150
BP-160	160
BP-200	200

## LISTELLI

lunghezza 1000mm±5

### STRIPS

length 1000mm±5



Codice Code	A	B
LI-10X10	10	10
LI-10X20	10	20
LI-10X30	10	30
LI-10X50	10	50
LI-10X100	10	100
LI-15X15	15	15
LI-15X30	15	30
LI-15X50	15	50
LI-15X100	15	100
LI-20X20	20	20
LI-20X30	20	30
LI-20X50	20	50
LI-20X100	20	100
LI-25X25	25	25
LI-25X50	25	50
LI-25X100	25	100
LI-30X30	30	30
LI-30X50	30	50
LI-30X100	30	100
LI-40X40	40	40
LI-40X50	40	50
LI-40X100	40	100
LI-50X50	50	50
LI-50X100	50	100
LI-60X60	60	60
LI-80X80	80	80
LI-100X100	100	100

## LAVORAZIONE DI UTENSILE / TOOLING



### TAGLIO

si esegue senza sfrido con utensili SR con affilatura a lancia (punto R= 5-10)

### TORNITURA

utensile SR raggiato con angolo di spoglio 12-25°. È consigliabile dare al tagliente una finitura in pietra dura. Velocità 100 m/minuto.

### FORATURA

con punta ben affilata. Velocità periferica 60 m/minuto.

### RETTIFICA

usare mole al corindone, durezza media, struttura grossa. Velocità 40 m/minuto.



### CUT

performed without off-cuts with HSS tools with lance sharpening (point R= 5-10)

### TURNING

HSS radial tool with rake of 12-25°. It is advisable to finish the cutting point with a jewel. Speed: 100 m/minute.

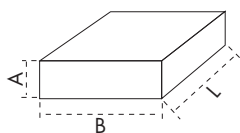
### DRILLING

with a well-sharpened bit. Surface speed: 60 m/minute.

### GRINDING

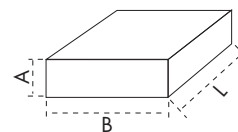
use corundum grinders, average hardness, coarse texture. Speed: 40 m/minute.

## LASTRE SLABS



Codice / Code	A	B	L
LA-10X1000X1000	10	1000	1000
LA-12X1000X1000	12	1000	1000
LA-15X1000X1000	15	1000	1000
LA-20X1000X1000	20	1000	1000
LA-25X1000X1000	25	1000	1000
LA-30X1000X1000	30	1000	1000
LA-35X1000X1000	35	1000	1000
LA-40X1000X1000	40	1000	1000
LA-45X1000X1000	45	1000	1000
LA-50X1000X1000	50	1000	1000
LA-12X500X1000	12	500	1000
LA-15X500X1000	15	500	1000
LA-20X500X1000	20	500	1000
LA-25X500X1000	25	500	1000
LA-30X500X1000	30	500	1000
LA-40X500X1000	40	500	1000
LA-45X500X1000	45	500	1000
LA-50X500X1000	50	500	1000
LA-12X500X500	12	500	500
LA-15X500X500	15	500	500
LA-20X500X500	20	500	500
LA-25X500X500	25	500	500
LA-30X500X500	30	500	500
LA-40X500X500	40	500	500
LA-45X500X500	45	500	500
LA-50X500X500	50	500	500

## LASTRE CENTRIFUGATE

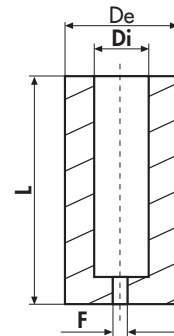


## CENTRIFUGED SLABS

Codice / Code	A	B	L
LA-1X500X2000	1	500	2000
LA-2X500X2000	2	500	2000
LA-3X500X2000	3	500	2000
LA-4X500X2000	4	500	2000
LA-5X500X2000	5	500	2000
LA-6X500X2000	6	500	2000
LA-8X500X2000	8	500	2000
LA-10X500X2000	10	500	2000

## ESTRATTORI PER PUNZONATRICE / KNOCKOUTS FOR PUNCHING PRESSES

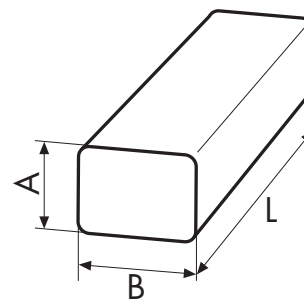
CODICE / CODE	Di	De	L	F
U92-ES-5	5	18	55	1,5
U92-ES-6	6	19	65	1,5
U92-ES-8	8	21	75	1,5
U92-ES-10	10	23	75	2,5
U92-ES-13	13	26	75	3
U92-ES-16	16	30	75	3
U92-ES-20	20	38	75	3
U92-ES-25	25	50	75	3



## CUSCINO PER PRESSA PIEGATRICE / PAD FOR FORMING PRESS

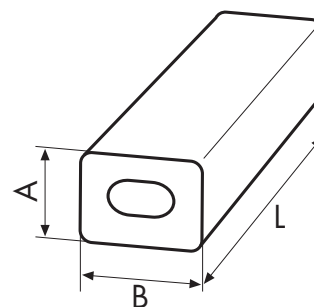
Cuscini pieni / *Solid pads* L = 835 mm

CODICE / CODE	A	B
U92-LI-25x25x835	25	25
U92-LI-50x50x835	50	50
U92-LI-50x75x835	50	75
U92-LI-50x100x835	50	100



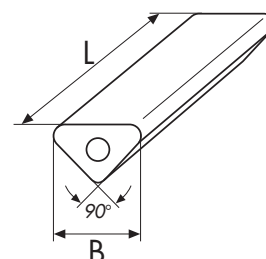
Cuscini cavi / *Hollow pads* L = 835 mm

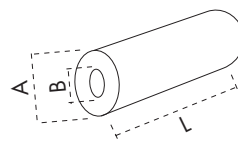
CODICE / CODE	A	B	ASOLA / SLOT
U92-LF-25x25x835	25	25	dia. 10
U92-LF-50x50x835	50	50	dia. 25
U92-LF-50x75x835	50	75	20x45
U92-LF-50x100x835	50	100	20x60



Cuscino triangolare / *Triangular pad* L = 835 mm

CODICE / CODE	B	ASOLA / SLOT
U92-LT-35x50x835	50	dia. 10





## MANICOTTI / SLEEVES

MANICOTTI L = 250 mm / SLEEVES L = 250 mm

codice/code	A	B
MA-11x7	11	7
MA-12x6,5	12	6,5
MA-13x5	13	5
MA-13x6,5	13	6,5
MA-13x8	13	8
MA-15x7	15	7
MA-16x9	16	9
MA-16x10	16	10
MA-16x11	16	11
MA-16x12	16	12
MA-18x6	18	6
MA-18x8	18	8
MA-18x11	18	11
MA-18x12	18	12
MA-19x5	19	5
MA-20x9	20	9
MA-20x10,5	20	10,5
MA-20x12	20	12
MA-20x14	20	14
MA-20x15	20	15
MA-21x8	21	8
MA-21x11	21	11
MA-21x12	21	12
MA-23,5x10,5	23,5	10,5
MA-23,5x15	23,5	15
MA-23,5x18	23,5	18
MA-24x11	24	11
MA-25x8,5	25	8,5
MA-25x12	25	12
MA-25x14	25	14
MA-25x15	25	15
MA-25x16,5	25	16,5
MA-25x19	25	19
MA-30,5x10,5	30,5	10,5

MANICOTTI L = 500 mm  
SLEEVES L = 500 mm

codice/code	A	B
MA-28x11	28	11
MA-28x15	28	15
MA-28x20	28	20
MA-28x22	28	22
MA-30x11	30	11

codice/code	A	B
MA-30x15	30	15
MA-30x17	30	17
MA-30x20	30	20
MA-30x23	30	23
MA-30x24	30	24
MA-30x25	30	25
MA-32x10,5	32	10,5
MA-32x12	32	12
MA-32x15	32	15
MA-32x16	32	16
MA-32x18	32	18
MA-32x20	32	20
MA-32x23	32	23
MA-32x24	32	24
MA-32x25	32	25
MA-35x11	35	11
MA-35x13,5	35	13,5
MA-35x15	35	15
MA-35x18	35	18
MA-35x20	35	20
MA-35x23	35	23
MA-35x24	35	24
MA-35x25	35	25
MA-35x26	35	26
MA-35x27	35	27
MA-35x28	35	28
MA-35x30	35	30
MA-37x14	37	14
MA-37x16	37	16
MA-37x17	37	17
MA-37x30	37	30
MA-38x10,5	37	10,5
MA-38x13,5	38	13,5
MA-38x15	38	15
MA-38x17	38	17
MA-38x20	38	20
MA-38x25	38	25
MA-38x28	38	28
MA-38x30	38	30
MA-40x11,5	40	11,5
MA-40x15	40	15
MA-40x18	40	18
MA-40x20	40	20
MA-40x21	40	21
MA-40x22	40	22
MA-40x23	40	23

codice/code	A	B
MA-40x25	40	25
MA-40x27	40	27
MA-40x30	40	30
MA-40x32	45	32
MA-45x11	45	11
MA-45x15	45	15
MA-45x17	45	17
MA-45x20	45	20
MA-45x25	45	25
MA-45x27	45	27
MA-45x30	45	30
MA-45x35	45	35
MA-50x10	50	10
MA-50x19	50	19
MA-50x20	50	20
MA-50x22	50	22
MA-50x25	50	25
MA-50x27	50	27
MA-50x30	50	30
MA-50x32	50	32
MA-50x35	50	35
MA-50x38	50	38
MA-50x40	50	40
MA-55x17	55	17
MA-55x20	55	20
MA-55x21	55	21
MA-55x25	55	25
MA-55x28	55	28
MA-55x30	55	30
MA-55x31,5	55	31,5
MA-55x35	55	35
MA-55x38	55	38
MA-55x40	55	40
MA-55x43	55	43
MA-60x13,5	60	13,5
MA-60x17	60	17
MA-60x20	60	20
MA-60x23	60	23
MA-60x25	60	25
MA-60x28	60	28
MA-60x30	60	30
MA-60x32	60	32
MA-60x35	60	35
MA-60x37	60	37
MA-60x40	60	40
MA-60x43	60	43

Manicotti eseguibili a richiesta per lotti minimi.

For minimum lots, sleeves can be made as for request.

# SCHEDA TECNICA PRODOTTO

codice/code	A	B
MA-60x50	60	50
MA-63x13,5	63	13,5
MA-63x20	63	20
MA-63x22	63	22
MA-63x25	63	25
MA-63x26	63	26
MA-63x28	63	28
MA-63x30	63	30
MA-63x32	63	32
MA-63x35	63	35
MA-63x36	63	36
MA-63x38	63	38
MA-63x39,5	63	39,5
MA-63x40	63	40
MA-63x45	63	45
MA-70x21	70	21
MA-70x25	70	25
MA-70x30	70	30
MA-70x40	70	40
MA-70x45	70	45
MA-70x50	70	50
MA-70x56	70	56
MA-70x60	70	60
MA-74x55	74	55
MA-74x62	74	62
MA-80x25	80	25
MA-80x27	80	27
MA-80x30	80	30
MA-80x32	80	32
MA-80x35	80	35
MA-80x36	80	36
MA-80x39	80	39
MA-80x40	80	40
MA-80x42	80	42
MA-80x44	80	44
MA-80x46	80	46
MA-80x49,5	80	49,5
MA-80x50	80	50
MA-80x51	80	51
MA-80x55	80	55
MA-80x56	80	56
MA-80x59	80	59
MA-80x60	80	60
MA-80x64	80	64
MA-80x70	80	70
MA-90x21	90	21
MA-90x25	90	25
MA-90x30	90	30
MA-90x40	90	40
MA-90x50	90	50
MA-90x60	90	60
MA-90x65	90	65
MA-90x70	90	70
MA-90x75	90	75
MA-100x27	100	27

codice/code	A	B
MA-100x29	100	29
MA-100x30	100	30
MA-100x31	100	31
MA-100x34	100	34
MA-100x35	100	35
MA-100x40	100	40
MA-100x45	100	45
MA-100x50	100	50
MA-100x55	100	55
MA-100x56	100	56
MA-100x60	100	60
MA-100x65	100	65
MA-100x70	100	70
MA-100x75	100	75
MA-100x80	100	80
MA-100x87	100	87
MA-110x27	110	27
MA-110x30	110	30
MA-110x40	110	40
MA-110x50	110	50
MA-110x60	110	60
MA-110x70	110	70
MA-110x80	110	80
MA-110x90	110	90
MA-120x21	120	21
MA-120x30	120	30
MA-120x50	120	50
MA-120x70	120	70
MA-120x90	120	90
MA-120x100	120	100
MA-125x29	125	29
MA-125x30	125	30
MA-125x31	125	31
MA-125x34	125	34
MA-125x35	125	35
MA-125x36	125	36
MA-125x39	125	39
MA-125x40	125	40
MA-125x42	125	42
MA-125x43	125	43
MA-125x44	125	44
MA-125x45	125	45
MA-125x46	125	46
MA-125x48	125	48
MA-125x50	125	50
MA-125x54	125	54
MA-125x56	125	56
MA-125x58	125	58
MA-125x60	125	60
MA-125x65	125	65
MA-125x70	125	70
MA-125x75	125	75
MA-125x80	125	80
MA-125x90	125	90
MA-125x100	125	100

codice/code	A	B
MA-130x27	130	27
MA-130x30	130	30
MA-130x39	130	39
MA-130x40	130	40
MA-130x50	130	50
MA-130x54	130	54
MA-130x60	130	60
MA-130x70	130	70
MA-130x80	130	80
MA-130x90	130	90
MA-130x100	130	100
MA-130x110	130	110
MA-140x27	140	27
MA-140x30	140	30
MA-140x40	140	40
MA-140x50	140	50
MA-140x60	140	60
MA-140x70	140	70
MA-140x80	140	80
MA-140x90	140	90
MA-140x100	140	100
MA-140x110	140	110
MA-140x120	140	120
MA-150x30	150	30
MA-150x40	150	40
MA-150x50	150	50
MA-150x60	150	60
MA-150x65	150	65
MA-150x70	150	70
MA-150x80	150	80
MA-150x90	150	90
MA-150x100	150	100
MA-150x110	150	110
MA-150x120	150	120
MA-150x130	150	130
MA-160x27	160	27
MA-160x30	160	30
MA-160x36	160	36
MA-160x40	160	40
MA-160x50	160	50
MA-160x65	160	65
MA-160x70	160	70
MA-160x80	160	80
MA-160x90	160	90
MA-160x100	160	100
MA-160x110	160	110
MA-200x27	200	27
MA-200x30	200	30
MA-200x40	200	40
MA-200x50	200	50
MA-200x60	200	60
MA-200x70	200	70
MA-200x80	200	80
MA-200x100	200	100
MA-200x150	200	150